
TPC Benchmark TM

Executive Summary

Attached is the 2-page executive summary to an official TPC-A, TPC-B, or TPC-C Full Disclosure Report. This executive summary contains detailed configuration and pricing information on the system tested. This executive summary conforms to the format as specified by the Transaction Processing Performance Council (TPC).

Further information and the Full Disclosure Report for this and other TPC benchmark results are available from your Hewlett-Packard sales representative or by contacting the TPC at the following location:

TPC c/o Shanley Public Relations
777 N. First Street, Suite 600
San Jose, CA 95112-6311
Phone: (408) - 295-8894
Fax: (408) - 295-2613

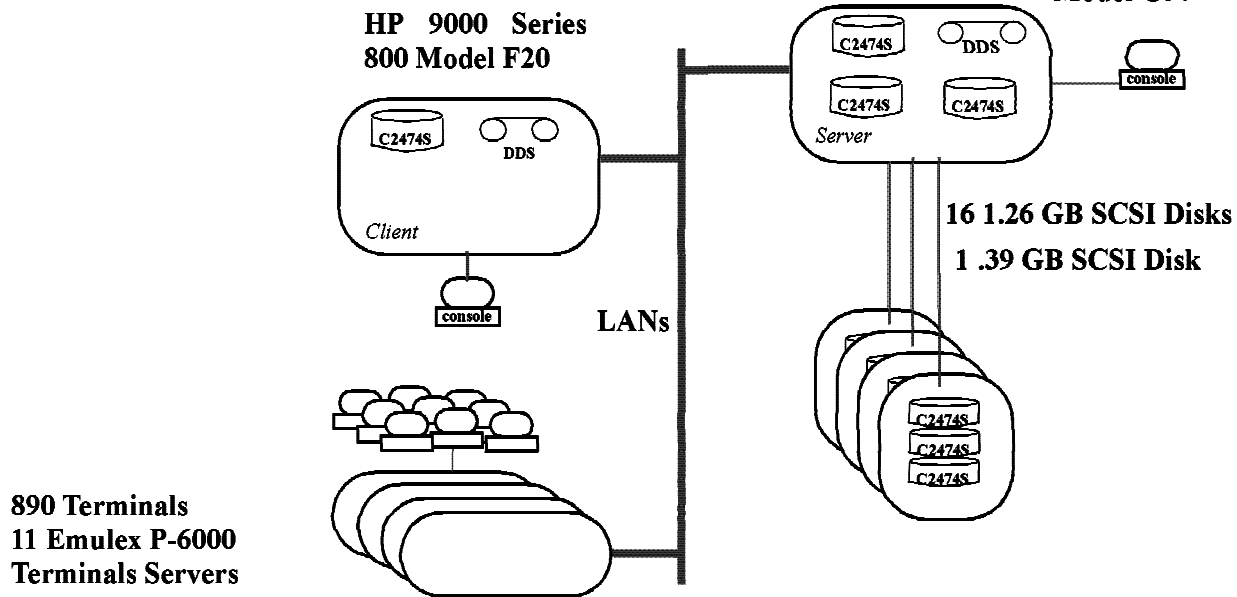
TPC Benchmark is a trademark of the Transaction Processing Performance Council

Copyright © 1993 Hewlett-Packard Company
All Rights Reserved. Reproduction,
adaptation, or translation without
prior written permission is prohibited
except as allowed under the copyright
laws.

Hewlett Packard	HP 9000 Series 800 Model G30 Client / Server Configuration		TPC-A Rev 1.1	
			Report Date: June 28, 1993	
Total System Cost	TPC-A Local Throughput		Price/Performance	
\$659,758	88.1 tpsA-Local		\$7,489 per tps-A Local	
Processors	Database Manager	Operating System	Other Software	# Users
1 HPPA 1.1 @48 MHz 1 HPPA 1.1 @48 MHz	INFORMIX On-Line v. 5.0 (relational)	HP-UX 9.0	HP C /HP-UX v 9.10	890

Priced System Configuration

HP 9000 Series 800
Model G30



<i>System Components</i>	<i>Server</i>	<i>Client</i>
Processors	1 HPPA 1.1 48 MHz , 256 KB I,D caches	1 HPPA 1.1 48 MHz, 64 KB I,D caches
Memory	192 Megabytes	384 Megabytes
Disk Controllers	3 HP-PB SCSI interface cards	1 SCSI interface card
Disk Drives	16 1.26 GB disks , 1 0.39 GB disk	1 1.26 GB built-in C2474S disk
Total GB of Storage	24.87 GB	1.26 GB
Tape Drives	1 DDS Storage System	1 DDS Storage System
Console Terminals	1 console terminal	1 console terminal
User Terminals		890 user terminals
Terminal Connectivity		11 terminal servers
Network Components	1 LAN/9000 interface	1 LAN/9000 interface

Description	Part Number	Hardware and Software Pricing			Support Pricing		5 Year Service
		Unit Price	Quant-ity	Extended Price	Unit \$/Month	Quant-ity	
Hewlett Packard 9000 Model G30	A2434A	17,000	1	17,000	83.00	1	3,984
Hardware & Software Support, Year 1	Option OS3				101.42	1	1,217
HP-UX System Media on DAT, Mat'ls	B3108A, Option AAH	420	1	420	165.00	1	7,920
Increase Main Memory to 64 MB	A2511AZ, Option ODU	2,400	1	2,400			
Add 64 MB ECC Memory Module	A2511AZ, Option ODZ	6,400	2	12,800			
Add Floating Point Coprocessor	A2293A, Option ODV	1,500	1	1,500			
Delete 566 MB Internal Disk	A2443A, Option 701	(1,900)	1	(1,900)			
Add 1.3 GB Internal Disk	C2474SZ, Option ODZ	6,320	3	18,960	21.00	3	3,024
Support, Year 1	Option OS3				6.42	3	231
HP-PB SCSI/Parallel Host Adapter	28655A, Option ODZ	1,095	2	2,190			
1.35 GB Mini-Tower Disk Storage	C2462F, Option O2A	7,050	5	35,250	25.00	5	6,000
Support, Year 1	Option OS3				10.00	5	600
1.35 GB Disk for Mini-Tower	C2474F, Option O2A	6,550	8	52,400	21.00	8	8,064
Support, Year 1	Option OS3				8.33	8	800
Factory Installation	Option OD1	(200)	8	(1,600)			
422 MB Disk for Mini-Tower	C2472F, Option O2A	3,200	1	3,200	18.00	1	864
Support, Year 1	Option OS3				8.33	1	100
Factory installation	Opt. OD1	(200)	1	(200)			
LAN/ARPA/NFS Card and Software	J2146A, Option ODM	1,725	1	1,725			
Total Server Cost				\$144,145			\$32,804
Hewlett Packard 9000 Model F20	A2432A	13,500	1	13,500	74.00	1	3,552
Hardware & Software Support, Year 1	Option OS1, OSP				165.83	1	1,990
Site Prep, Installation	Option OS4	906	1	906			
HP-UX Unlimited User License	B3108L, Option UAT	19,525	1	19,525	149.00	1	7,152
Return Credit For 2-User License	Option UB1	(1,525)	1	(1,525)			
DAT Media Option, Unlimited Users	Option AAH	105	1	105			
HP C/ANSI C Compiler	B2412A, Option AH0	1,575	1	1,575	20.00	1	960
Support, Year 1	Option OS3				18.75	1	225
DAT Media Option	Option AAH	290	1	290			
Increase Main Memory to 64 MB	A2511AZ, Option ODT	4,000	1	4,000			
Add 64 MB ECC Memory Module	A2511AZ, Option ODZ	6,400	5	32,000			
Delete 566 MB Internal Disk	A2443A, Option 701	(2,200)	1	(2,200)			
Add 1.3 GB Internal Disk	C2474SZ, Option ODZ	6,320	1	6,320	21.00	1	1,008
Support, Year 1	Option OS3				6.42	1	77
LAN/ARPA/NFS Card and Software	J2146A, Option ODM	1,725	1	1,725			
Total Client Cost				\$76,221			\$14,964
20% Support Prepay Discount							(9,554)
HP Hardware/Software/Support Total				\$220,366			\$38,214
Terminals	Liberty Freedom	249	890	221,610			
Terminals (10% Spares)	Liberty Freedom	249	89	22,161	0.63	89	3,382
Terminal Servers - Base Unit (2 Spares)	Emulex P6000/BNC	2,708	13	35,204			
Terminal Servers - 8-Port Cards (12 Sp.)	Emulex PE6008	299	124	37,101			
Total Terminal Package				\$316,076			\$3,382
INFORMIX-OnLine on G30 (65+)	Run Only	24,000	1	24,000	480.00	1	28,800
INFORMIX-ESQL/C on G30 (65+)	Run Only	2,110	1	2,110	95.83	1	5,750
INFORMIX-OnLine on F20 (1)	Full Development	3,300	1	3,300	49.17	1	2,950
INFORMIX-ESQL/C on F20 (1)	Full Development	660	1	660	16.67	1	1,000
INFORMIX Support Prepayment Credit							(7,700)
/ITI TP Monitor		12,000	1	12,000	150.00	1	8,850
Third Party Software Total Cost				\$42,070			\$39,650
Hardware/Software/Support Totals				\$578,512			\$81,246
Five (5) Year Cost of Ownership	\$659,758						
tpsA-Local	88.1						
\$/tpsA	\$7,489						

Notes: